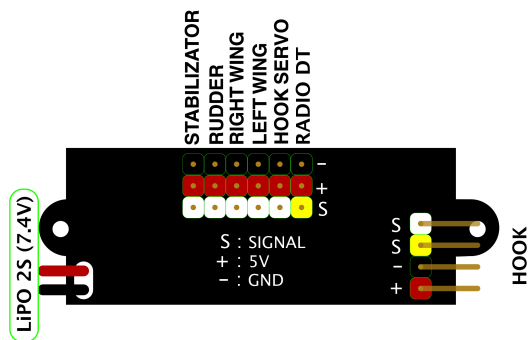


How to start using:

1. Download AIRtimer app from the store. Search “**AIRtimer**” or press on direct link:
for **IOS** devices <https://itunes.apple.com/app/id1476406234>
for **Android** devices <https://play.google.com/store/apps/details?id=com.dm.airtimer>
2. Connect timer outputs
3. Pair timer with AIRtimer mobile app

Timer outputs

RadioDT is constantly on (You can interrupt flight at any time).

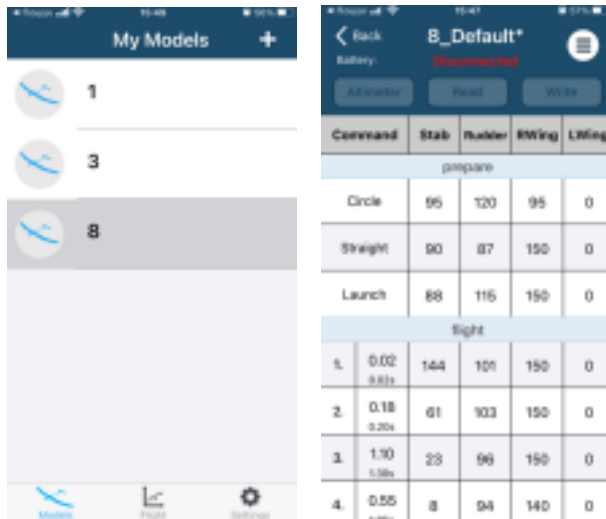


Pair timer with app:

1. Make sure Bluetooth is enable on your device and hook connected to timer
2. Open AIRtimer app and provide all permissions that the app requests.
 - **IOS:** *Bluetooth permissions*
 - **Android:** *Bluetooth and GPS permissions.*
3. Turn timer on while holding the hook in a forward position
4. Hold the hook for 2 seconds till a long beep, then release
5. Press «+» button to add a timer
6. Press «Pair» button after the program finds a timer
7. Enter a model name and press “Done” button

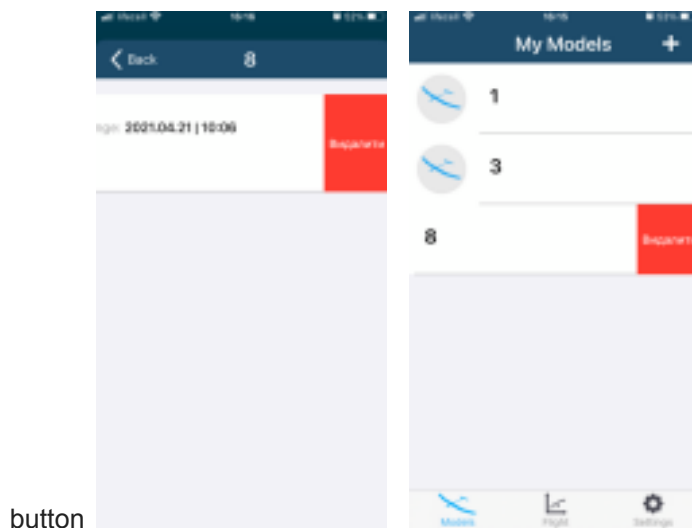
Main screen

Clicking on the model cell you see your “**working program**”. When you change the values, the program automatically saves them.



Delete model or program

Dragging a cell with the model or program name to the left and press the "delete" button



Altimeter

The timer stores last 1 flight in memory. By reading the flight data, the program automatically saves them in memory.

Menu

Save Program As

App makes a "snapshot" of the working program and stored in memory with the new name you enter.

**You cannot edit a saved snapshot directly. But you can save the new one from working program and delete the old one if necessary.*

This algorithm does not allow to break saved snapshot.

Open Program

Data from the saved snapshot copied to the working program.

Flight Screen

- 1 Back button
- 2 Model name
- 3 Detail information about selected point or selected period
- 4 Information by point or by period button
- 5 Remove button
- 6 Time of fetched flight
- 7 Altitude chart
- 8 Flight detail information and info field
- 9 Flight value spreadsheet button
- 10 Detail about flight button
- 11 Flight value spreadsheet

Intervals:
 0-3: 0.1s
 3-15: 0.5s
 15-30: 1.0s
 >30: 5s or 0.5s

i If a height of model is less than 15 meters interval is 0.5 seconds

